

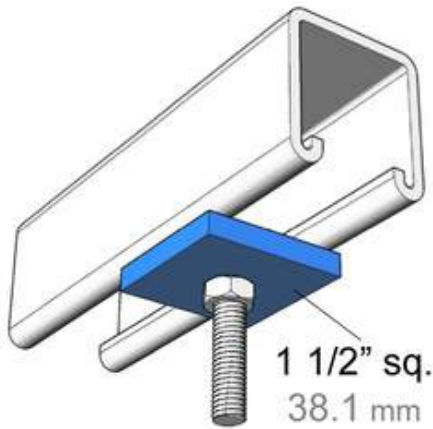
RAIDER HANSEN

STRUT & ROD SOLUTIONS

Flat Plate • Angle Plate • Hardware • Rod & Strut • Wood Knockers • Anchors



STAINLESS, ALUMINUM, & HOT DIPPED GALVANIZED AVAILABLE

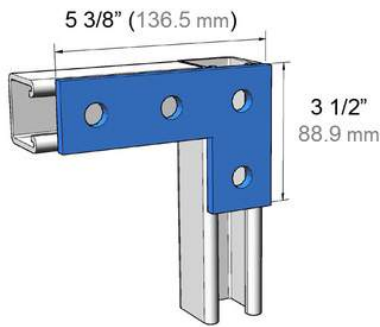


1 1/2" sq.
38.1 mm

SQUARE WASHERS - ELECTRO-GALVANIZED

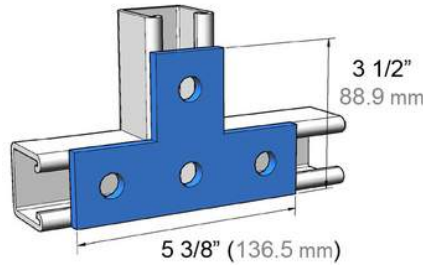
OTHER
PLATINGS
AVAILABLE

Item #	Description
231-S101P-EG	1-1/2" X 1-1/2" X 1/4" BOLT SIZE (11/32" HOLE)
231-S102P-EG	1-1/2" X 1-1/2" X 3/8" BOLT SIZE (7/16" HOLE)
231-S103P-EG	1-1/2" X 1-1/2" X 1/2" BOLT SIZE (9/16" HOLE)
231-S104P-EG	1-1/2" X 1-1/2" X 5/8" BOLT SIZE (11/16" HOLE)



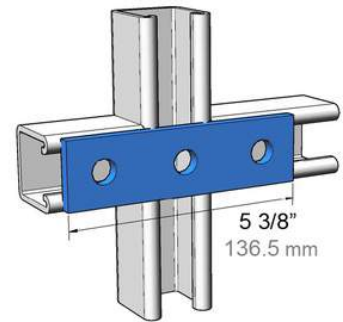
5 3/8" (136.5 mm)

3 1/2"
88.9 mm

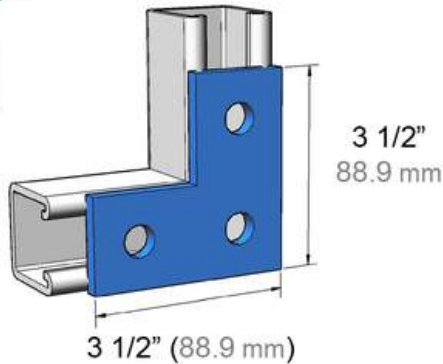


3 1/2"
88.9 mm

5 3/8" (136.5 mm)



5 3/8"
136.5 mm



3 1/2"
88.9 mm

3 1/2" (88.9 mm)

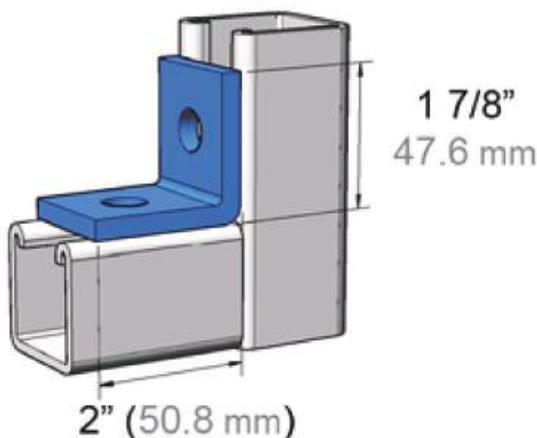
FLAT PLATE - ELECTRO-GALVANIZED

OTHER
PLATINGS
AVAILABLE

Item #	Description
231-S110P-EG	2-HOLE STRAIGHT, 3-1/2" X 1-1/2" X 1/2" BOLT SIZE
231-S111P-EG	3-HOLE STRAIGHT, 5-3/8" X 1-1/2" X 1/2" BOLT SIZE
231-S114P-EG	4-HOLE STRAIGHT, 7-1/4" X 1-1/2" X 1/2" BOLT SIZE
231-S119P-EG	3-HOLE CORNER, 3-1/2" X 3-1/2" X 1/2" BOLT SIZE
231-S120P-EG	4-HOLE TEE, 5-3/8" X 3-1/2" X 1/2" BOLT SIZE
231-S123P-EG	4-HOLE CORNER, 5-3/8" X 3-1/2" X 1/2" BOLT SIZE

CORE ANGLE PLATE SOLUTIONS

STAINLESS, ALUMINUM, & HOT DIPPED GALVANIZED AVAILABLE



1 7/8"
47.6 mm

2" (50.8 mm)

ANGLE PLATE - ELECTRO-GALVANIZED

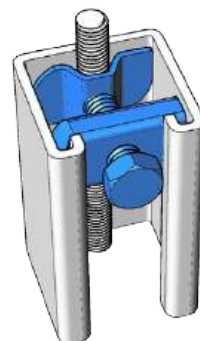
OTHER
PLATINGS
AVAILABLE

Item #	Description
231-S205A-EG	2-HOLE 90°, 2-1/4" X 1-5/8" X 1/2" BOLT SIZE
231-S206A-EG	2-HOLE 90°, 2" X 1-7/8" X 1/2" BOLT SIZE
231-S207A-EG	2-HOLE 90°, 2" X 2" X 1/2" BOLT SIZE (ANTI-ROTATE)
231-S210A-EG	3-HOLE 90°, 3-7/8" X 1-7/8" X 1/2" BOLT SIZE
231-S214A-EG	4-HOLE 90°, 4-1/8" X 3-1/2" X 1/2" BOLT SIZE
231-S255A-EG	2-HOLE 45°, 2-1/8" X 1-1/8" X 1/2" BOLT SIZE
231-S267A-EG	4-HOLE 45°, 3-11/16" X 3-1/2" X 1/2" BOLT SIZE

STAINLESS, ALUMINUM, & HOT DIPPED GALVANIZED AVAILABLE

SQUEEZE NUTS

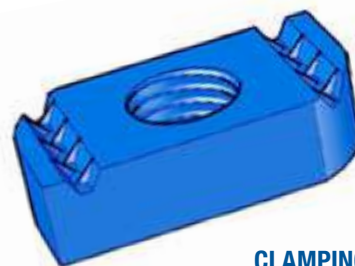
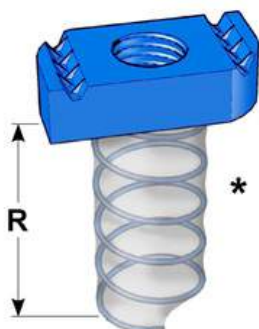
Item #	Description
231-107SQ-01400	SQUEEZE NUT, FOR STRUT 1/4"
231-107SQ-03800	SQUEEZE NUT, FOR STRUT 3/8"



**ROD STIFFENER,
VERTICAL 3/8-5/8"**
231-SR38-RS

SPRING NUTS

Item #	Description
231-S14	SPRING NUT, EG DEEP 1/4"-20
231-S38	SPRING NUT, EG DEEP 3/8"-16
231-S3814S	SPRING NUT, EG SHALLOW 3/8"-16
231-S12	SPRING NUT, EG DEEP 1/2"-13
231-S58	SPRING NUT, EG DEEP 5/8"-11
231-S34	SPRING NUT, EG DEEP 3/4"-10



**CLAMPING NUT, NO
SPRING 3/8"**
231-S38W

MISCELLANEOUS SOLUTIONS

STAINLESS, ALUMINUM, & HOT DIPPED GALVANIZED AVAILABLE

TOP BEAM CLAMPS

Item #	Description
45-300G0037PL	TOP BEAM CLAMP, BM 3/8"-16
45-300G0050PL	TOP BEAM CLAMP, BM 1/2"-13



**CEILING PLATE,
3/8" EG**
231-SH28C38MZ



**STRUT TO BEAM
CLAMP, EG**
231-BC2785-00000E



**ROD HANGER, VERTICAL
WOOD 3/8"**
1/4" - 2"; 25 HANGERS PER BOX
248-RWV37200

RING HANGERS

AVAILABLE RANGE OF SIZES 1/2" TO 12"

Item #	Description
45-41-3/4	SWIVEL RING HANGER, EG 3/4"
45-41-1	SWIVEL RING HANGER, EG 1"

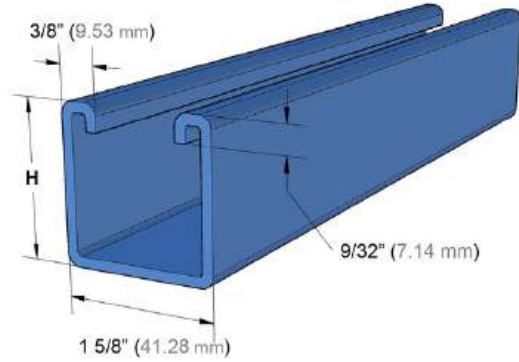


**POST BASE, FOR
1-5/8"x1-5/8"
STRUT**
231-501PB-EG

STAINLESS, ALUMINUM, & HOT DIPPED GALVANIZED AVAILABLE

DEEP SOLID & SLOTTED STRUT

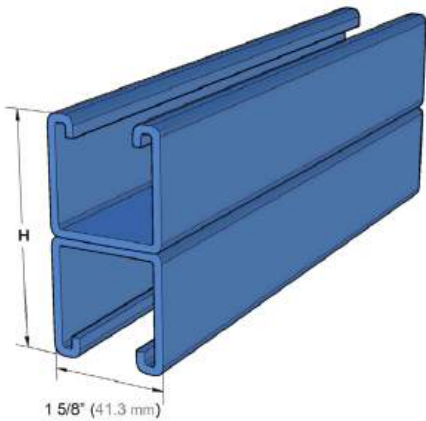
OTHER
PLATINGS
AVAILABLE



Item #	Description
231-S2G-120	1-5/8"x1-5/8"x10' PRE-GALV 12GA - SOLID
231-S2G-240	1-5/8"x1-5/8"x20' PRE-GALV 12GA - SOLID
231-S2SL2-G120	1-5/8"x1-5/8"x10' PRE-GALV 12GA - SLOTTED
231-S2SL2-G240	1-5/8"x1-5/8"x20' PRE-GALV 12GA - SLOTTED

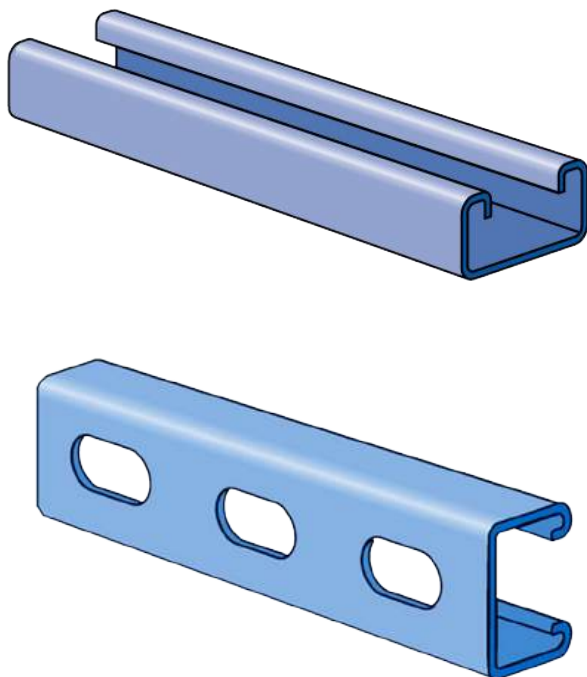
BACK-TO-BACK DEEP STRUT

OTHER
PLATINGS
AVAILABLE



Item #	Description
231-S2BB-G120	3-1/4x1-5/8x10' PRE-GALV 12GA - SOLID
231-S2BB-G240	3-1/4x1-5/8x20' PRE-GALV 12GA - SOLID
231-S2BBSL-G120	3-1/4x1-5/8x10' PRE-GALV 12GA - SLOTTED
231-S2BBSL-G240	3-1/4x1-5/8x20' PRE-GALV 12GA - SLOTTED

SHALLOW STRUT



SHALLOW SOLID & SLOTTED STRUT

OTHER
PLATINGS
AVAILABLE

Item #	Description
231-S5G-120	13/16"x1-5/8"x10' PRE-GALV 12GA - SOLID
231-S5G-240	13/16"x1-5/8"x20' PRE-GALV 12GA - SOLID
231-S5SL2-G120	13/16"x1-5/8"x10' PRE-GALV 12GA - SLOTTED
231-S5SL2-G240	13/16"x1-5/8"x20' PRE-GALV 12GA - SLOTTED

STAINLESS, ALUMINUM, & HOT DIPPED GALVANIZED AVAILABLE

THREADED ROD - PLATED

Item #	Description
45-91P-0006	THREADED ROD, PLTD NC 1/4"x120"
45-91P-0010	THREADED ROD, PLTD NC 3/8"x120"
45-91P-0013	THREADED ROD, PLTD NC 1/2"x120"
45-91P-0016	THREADED ROD, PLTD NC 5/8"x120"
45-90P-0020	THREADED ROD, PLTD NC 3/4"x36"
45-91P-0020	THREADED ROD, PLTD NC 3/4"x120"



THREADED ROD - HOT DIPPED GALVANIZED

Item #	Description
45-91G-0010	THREADED ROD, HDG NC 3/8"x120"
45-91G-0013	THREADED ROD, HDG NC 1/2"x120"
45-91G-0016	THREADED ROD, HDG NC 5/8"x120"
45-91G-0020	THREADED ROD, HDG NC 3/4"x120"



WOOD KNOCKERS & ANCHORS



WOOD KNOCKERS







Item #	Description
231-WK-00014	IMPORT (NOT UL CERTIFIED) 1/4" INSERT
231-WK-00038	IMPORT (NOT UL CERTIFIED) 3/8" INSERT
231-WK-00012	IMPORT (NOT UL CERTIFIED) 1/2" INSERT
231-WK-00058	IMPORT (NOT UL CERTIFIED) 5/8" INSERT
POW-PFM2501438	DOMESTIC (UL CERTIFIED) 1/4" & 3/8" INSERT
POW-PFM2521350	DOMESTIC (UL CERTIFIED) 3/8" & 1/2" INSERT
POW-PFM2525834	DOMESTIC (UL CERTIFIED) 5/8" & 3/4" INSERT



ROD ANCHORS

Item #	Description
248-THDB25158RH	1/4" X 1-5/8" FOR 1/4" ROD
248-THDB37158RH	1/4" X 1-5/8" FOR 3/8" ROD
248-THD50234RH	3/8" X 2-3/4" FOR 1/2" ROD

 <p>231-S101P-EG 1-1/2" X 1-1/2" X 1/4" BOLT SIZE (11/32" HOLE)</p>	 <p>231-S102P-EG 1-1/2" X 1-1/2" X 3/8" BOLT SIZE (7/16" HOLE)</p>	 <p>231-S103P-EG 1-1/2" X 1-1/2" X 1/2" BOLT SIZE (9/16" HOLE)</p>	 <p>231-S104P-EG 1-1/2" X 1-1/2" X 5/8" BOLT SIZE (11/16" HOLE)</p>	 <p>231-S110P-EG 2-HOLE STRAIGHT, 3-1/2" X 1-1/2" X 1/2" BOLT SIZE</p>
 <p>231-S111P-EG 3-HOLE STRAIGHT, 5-3/8" X 1-1/2" X 1/2" BOLT SIZE</p>	 <p>231-S114P-EG 4-HOLE STRAIGHT, 7-1/4" X 1-1/2" X 1/2" BOLT SIZE</p>	 <p>231-S119P-EG 3-HOLE CORNER, 3-1/2" X 3-1/2" X 1/2" BOLT SIZE</p>	 <p>231-S120P-EG 4-HOLE TEE, 5-3/8" X 3-1/2" X 1/2" BOLT SIZE</p>	 <p>231-S123P-EG 4-HOLE CORNER, 5-3/8" X 3-1/2" X 1/2" BOLT SIZE</p>
 <p>231-S205A-EG 2-HOLE 90°, 2-1/4" X 1-5/8" X 1/2" BOLT SIZE</p>	 <p>231-S206A-EG 2-HOLE 90°, 2" X 1-7/8" X 1/2" BOLT SIZE</p>	 <p>231-S207A-EG 2-HOLE 90°, 2" X 2" X 1/2" BOLT SIZE (ANTI-ROTATE)</p>	 <p>231-S210A-EG 3-HOLE 90°, 3-7/8" X 1-7/8" X 1/2" BOLT SIZE</p>	 <p>231-S214A-EG 4-HOLE 90°, 4-1/8" X 3-1/2" X 1/2" BOLT SIZE</p>
 <p>231-S255A-EG 2-HOLE 45°, 2-1/8" X 1-1/8" X 1/2" BOLT SIZE</p>	 <p>231-S267A-EG 4-HOLE 45°, 3-11/16" X 3-1/2" X 1/2" BOLT SIZE</p>	 <p>231-107SQ-01400 SQUEEZE NUT, FOR STRUT 1/4"</p>	 <p>231-107SQ-03800 SQUEEZE NUT, FOR STRUT 3/8"</p>	 <p>231-S14 SPRING NUT, EG DEEP 1/4"-20</p>
 <p>231-S38W CLAMPING NUT, NO SPRING 3/8"</p>	 <p>231-S3814S SPRING NUT, EG SHALLOW 3/8"-16</p>	 <p>231-S12 SPRING NUT, EG DEEP 1/2"-13</p>	 <p>231-S58 SPRING NUT, EG DEEP 5/8"-11</p>	 <p>231-S34 SPRING NUT, EG DEEP 3/4"-10</p>
 <p>231-S38 SPRING NUT, EG DEEP 3/8"-16</p>	 <p>45-300G0037PL TOP BEAM CLAMP, BM 3/8"-16</p>	 <p>45-300G0050PL TOP BEAM CLAMP, BM 1/2"-13</p>	 <p>45-41-3/4 SWIVEL RING HANGER, EG 3/4"</p>	 <p>45-41-1 SWIVEL RING HANGER, EG 1"</p>
 <p>231-SR38-RS ROD STIFFENER, VERTICAL 3/8"-5/8"</p>	 <p>231-501PB-EG POST BASE, FOR 1-5/8"x1-5/8" STRUT</p>	 <p>231-BC2785-00000E STRUT TO BEAM CLAMP, EG</p>	 <p>231-SH28C38MZ CEILING PLATE, 3/8" EG</p>	 <p>231-RWV37200 ROD HANGER, VERTICAL WOOD 3/8" 1/4" - 2", 25 HANGERS PER BOX 200</p>

 <p>231-WK-00014 IMPORT (NOT UL CERTIFIED) 1/4" INSERT, WOOD KNOCKER</p>	 <p>231-WK-00038 IMPORT (NOT UL CERTIFIED) 3/8" INSERT, WOOD KNOCKER</p>	 <p>231-WK-00012 IMPORT (NOT UL CERTIFIED) 1/2" INSERT, WOOD KNOCKER</p>	 <p>231-WK-00058 IMPORT (NOT UL CERTIFIED) 5/8" INSERT, WOOD KNOCKER</p>	 <p>POW-PFM2501438 DOMESTIC (UL CERTIFIED) 1/4" & 3/8" INSERT, WOOD KNOCKER</p>
 <p>POW-PFM2521350 DOMESTIC (UL CERTIFIED) 3/8" & 1/2" INSERT, WOOD KNOCKER</p>	 <p>POW-PFM2525834 DOMESTIC (UL CERTIFIED) 5/8" & 3/4" INSERT, WOOD KNOCKER</p>	 <p>248-THDB25158RH 1/4" X 1-5/8" FOR 1/4" ROD</p>	 <p>248-THDB37158RH 1/4" X 1-5/8" FOR 3/8" ROD</p>	 <p>248-THD50234RH 3/8" X 2-3/4" FOR 1/2" ROD</p>

YOUR SOURCE FOR FASTENING SYSTEMS FROM PLATED TO GALVANIZED TO STAINLESS

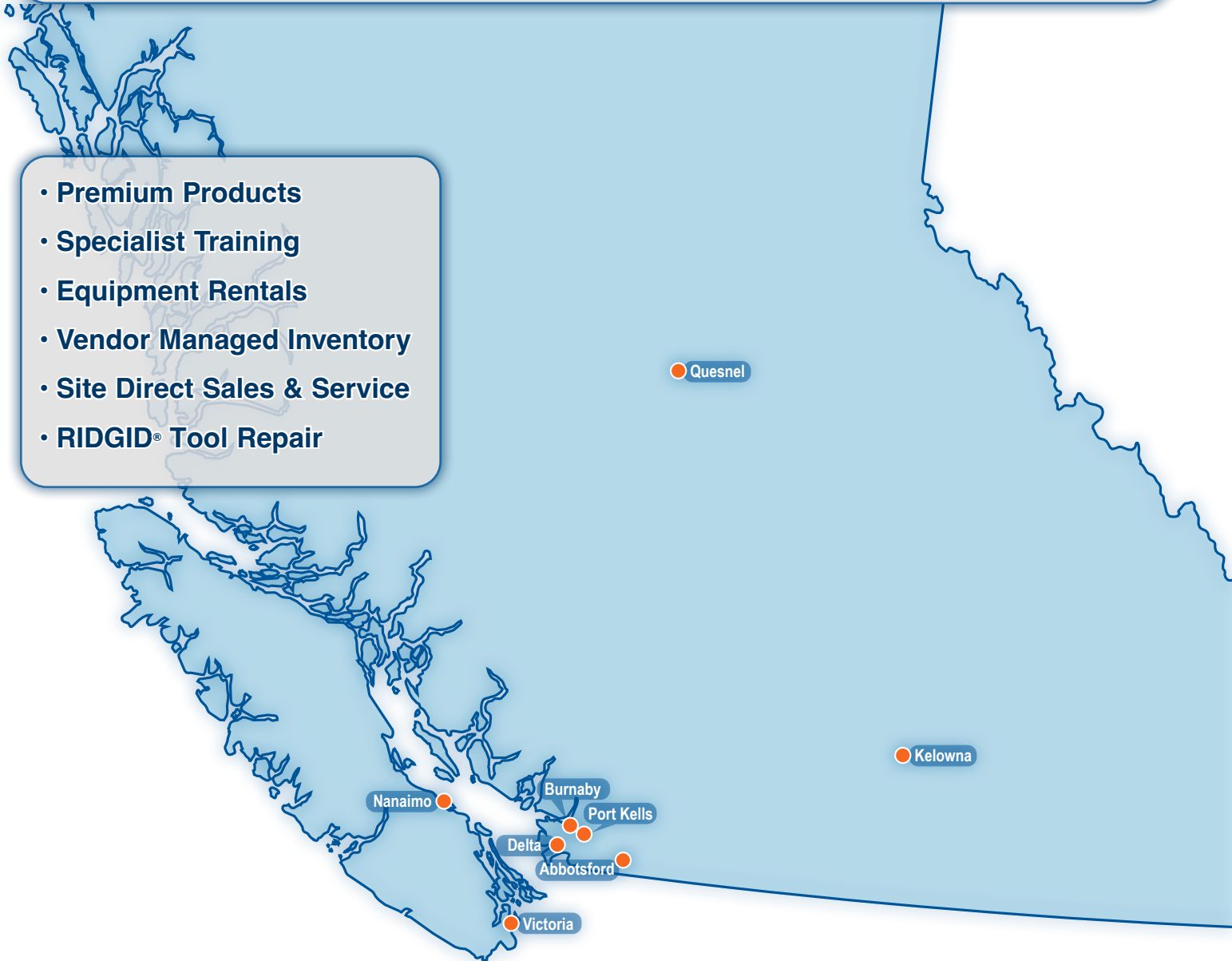
ASK US FOR SIZES AND OPTIONS AVAILABLE!



ABOUT US

Established in 1959, **Raider Hansen** is the largest independently owned and operated distributor of supplies and services to the industrial and construction business sectors in British Columbia. With 8 branch locations, we are one of BC's largest distributors of safety equipment, fasteners, tools, abrasives and chemical supplies.

- Premium Products
- Specialist Training
- Equipment Rentals
- Vendor Managed Inventory
- Site Direct Sales & Service
- RIDGID® Tool Repair



RAIDER HANSEN

1 800 665 2658

raiderhansen.com

ABBOTSFORD
Unit 104 - 2707 Progressive Way

604 859 2658

BURNABY
8335 Winston Street

604 291 7442

DELTA
Unit 3 - 7201 72 Street

604 946 1719

KELOWNA
1888 Spall Road
250 769 2110

NANAIMO
2237 McCullough Road
250 751 1239

QUESNEL
1063 Cariboo Hwy N
250 985 0778

PORT KELLS
Unit 105 - 19358 96 Avenue
604 888 2669

REPAIR CENTRE
Unit 105 - 19358 96 Avenue
604 530 0224

REPAIR CENTRE
Unit 105 - 19358 96 Avenue
604 530 0224